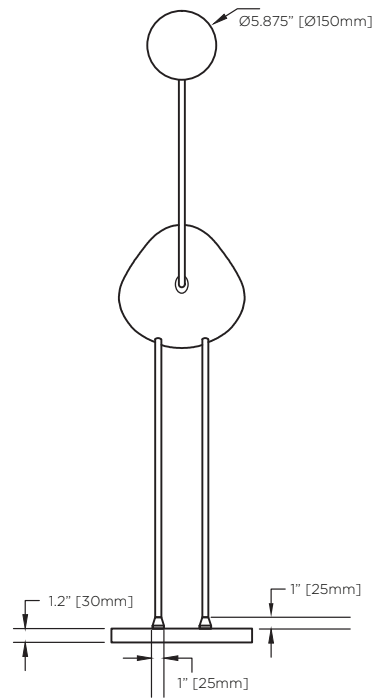
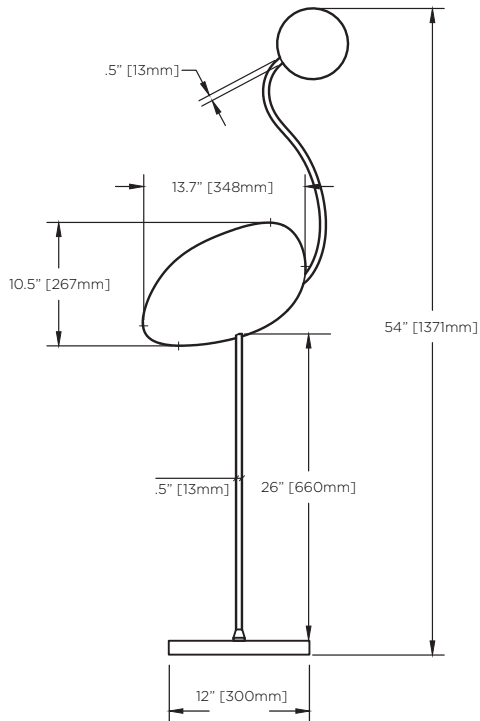






VISO LIGHTING

FRED SPECS



Model	Fred
Size	1371
Ref. #	NA.MM.08.720.
Lamp	1x3W G9 LED
	2700K
	
	

MM
Lbs 20
Kg 9.1

