



VISO LIGHTING

GIA ROUND

INSTALLATION MANUAL

G9 (120V/220V)

SM – 6x G9 25W max

MM – 10x G9 25W max

GM – 12x G9 25W max



IMPORTANT

Always shut off power before cleaning and maintenance.



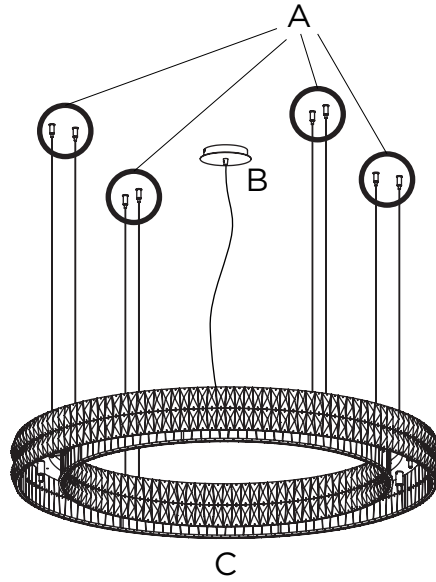
All products are manufactured to meet or exceed North American standards C22.2-250, UL 1598, C22.2-12, C22.2.9, UL 153.

All preparation for installation of fixture is to be provided by the end user.

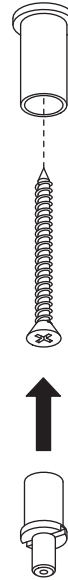
The description and measurements on this drawing are for information purposes only.

VISO © 2018 All rights reserved.

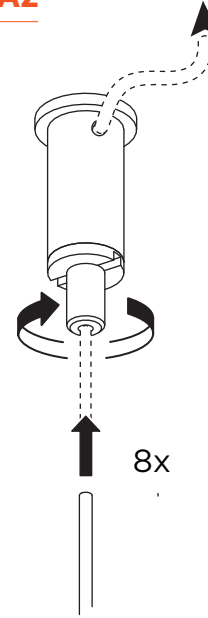
MADE WITH ♥ IN TORONTO



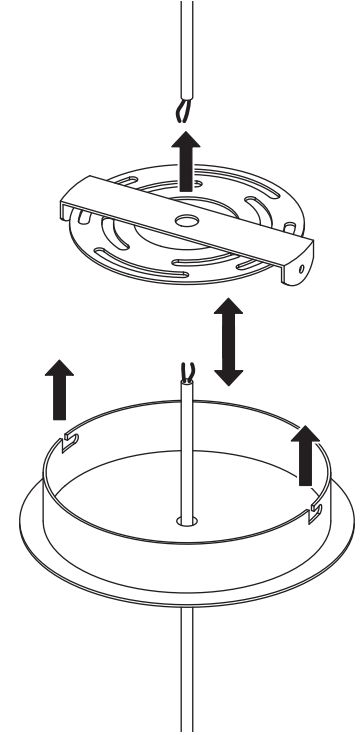
A1



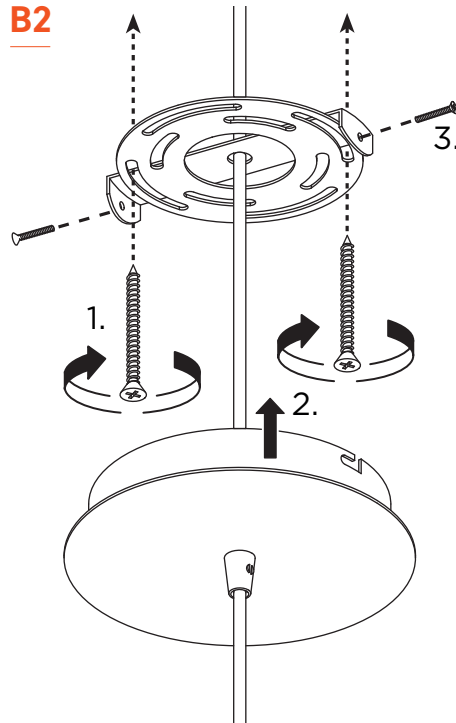
A2



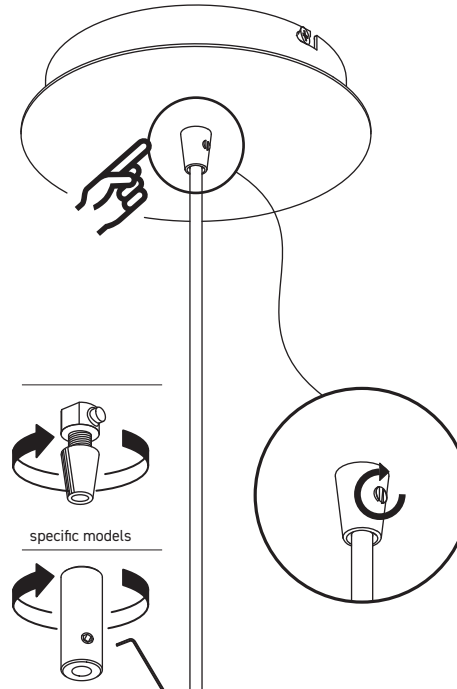
B1



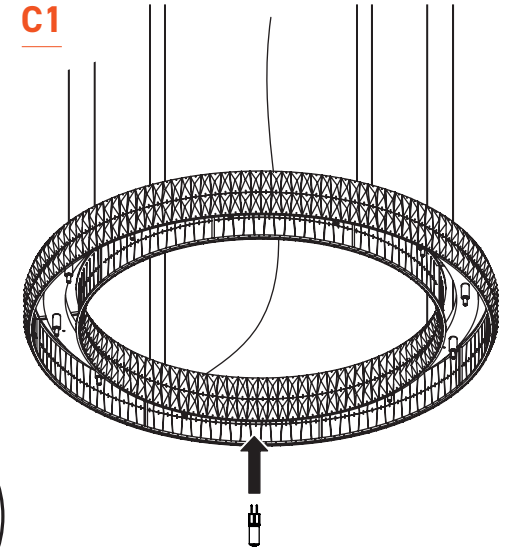
B2



B3



C1



SM MODEL **6x** G9 25W max

MM MODEL **10x** G9 25W max

GM MODEL **12x** G9 25W max