



VISO LIGHTING

CHESTNUT

4MM INSTALLATION MANUAL

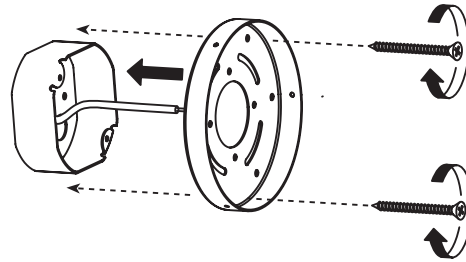
LED 700mA 110V - 240V 3000K
4 x 12W LED (Integral)



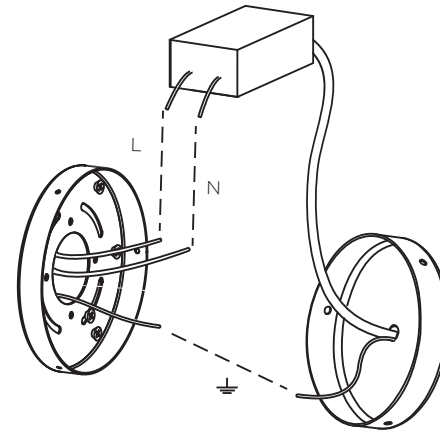
IMPORTANT

Always shut off power before
cleaning and maintenance.

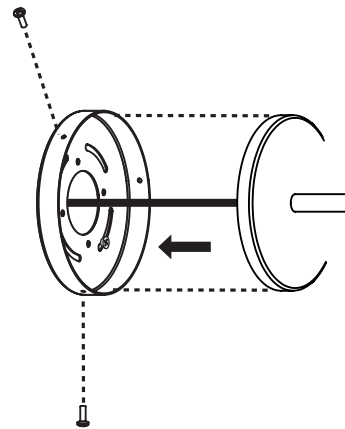
1



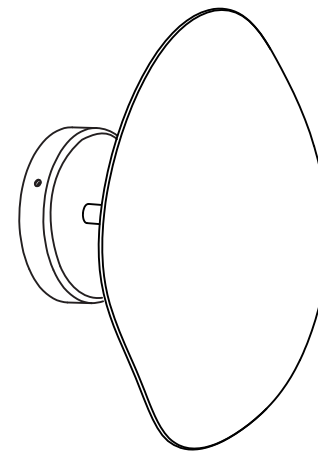
2



3



4



All products are manufactured to meet or exceed North American standards C22.2-250, UL 1598, C22.2-12, C22.2.9, UL 153.

All preparation for installation of fixture is to be provided by the end user.

The description and measurements on this drawing are for information purposes only.

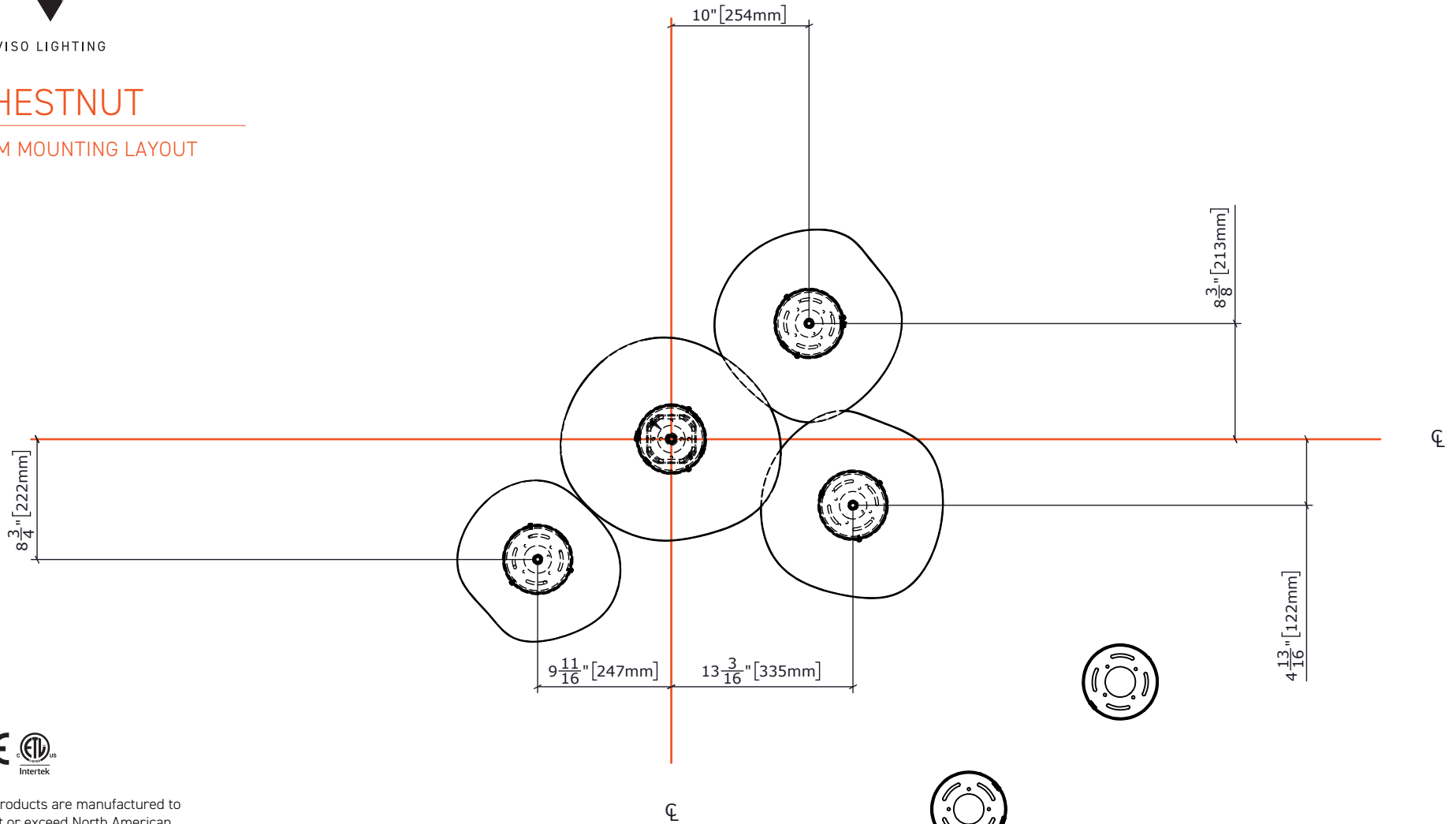
VISO © 2019 All rights reserved.



VISO LIGHTING

CHESTNUT

4MM MOUNTING LAYOUT



All products are manufactured to meet or exceed North American standards C22.2-250, UL 1598, C22.2-12, C22.2.9, UL 153.

All preparation for installation of fixture is to be provided by the end user.

The description and measurements on this drawing are for information purposes only.

VISO © 2019 All rights reserved.



IMPORTANT

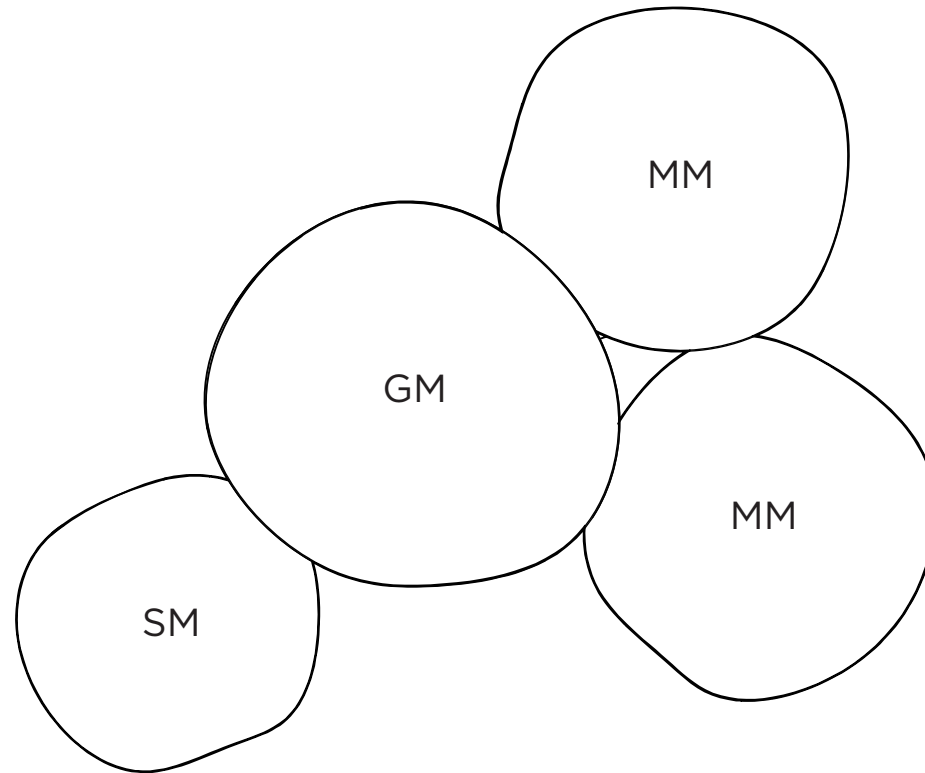
Always shut off power before cleaning and maintenance.



VISO LIGHTING

CHESTNUT

4MM FIXTURE LAYOUT



IMPORTANT

Always shut off power before cleaning and maintenance.



All products are manufactured to meet or exceed North American standards C22.2-250, UL 1598, C22.2-12, C22.2.9, UL 153.

All preparation for installation of fixture is to be provided by the end user.

The description and measurements on this drawing are for information purposes only.

VISO © 2019 All rights reserved.



VISO LIGHTING

CHESTNUT

6MM INSTALLATION MANUAL

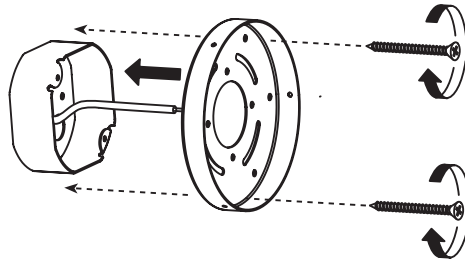
LED 700mA 110V - 240V 3000K
6 x 12W LED (Integral)



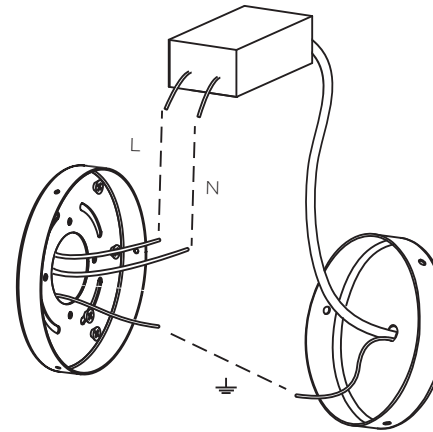
IMPORTANT

Always shut off power before
cleaning and maintenance.

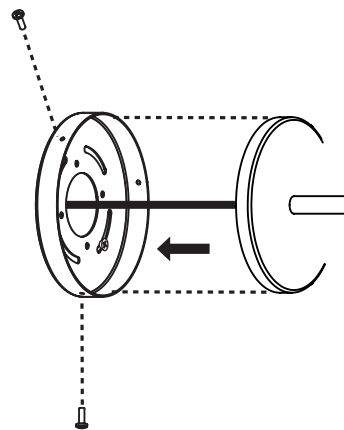
1



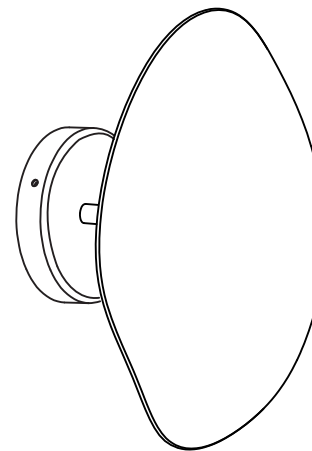
2



3



4



All products are manufactured to meet or exceed North American standards C22.2-250, UL 1598, C22.2-12, C22.2.9, UL 153.

All preparation for installation of fixture is to be provided by the end user.

The description and measurements on this drawing are for information purposes only.

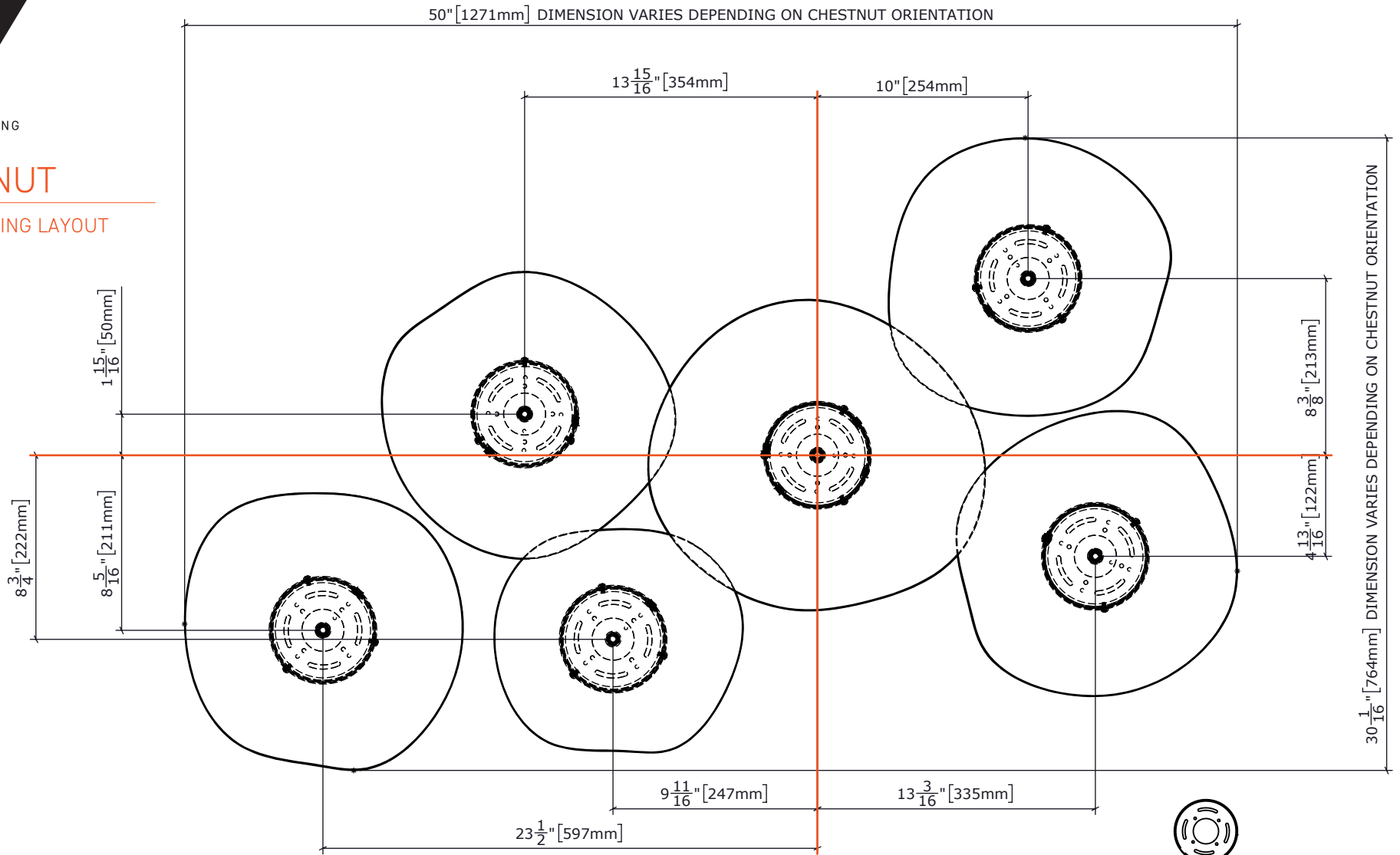
VISO © 2019 All rights reserved.



VISO LIGHTING

CHESTNUT

6MM MOUNTING LAYOUT



All products are manufactured to meet or exceed North American standards C22.2-250, UL 1598, C22.2-12, C22.2.9, UL 153.

All preparation for installation of fixture is to be provided by the end user.

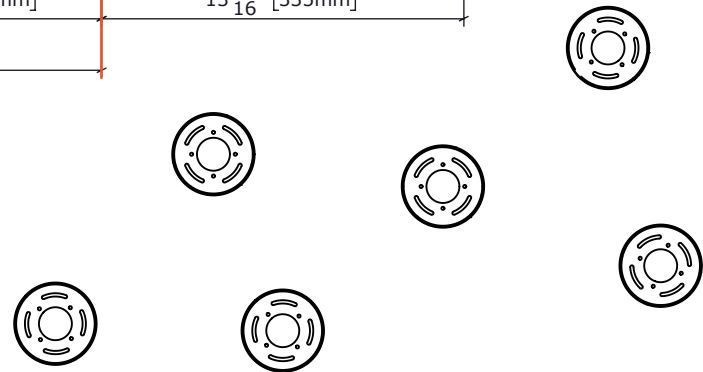
The description and measurements on this drawing are for information purposes only.

VISO © 2019 All rights reserved.



IMPORTANT

Always shut off power before cleaning and maintenance.

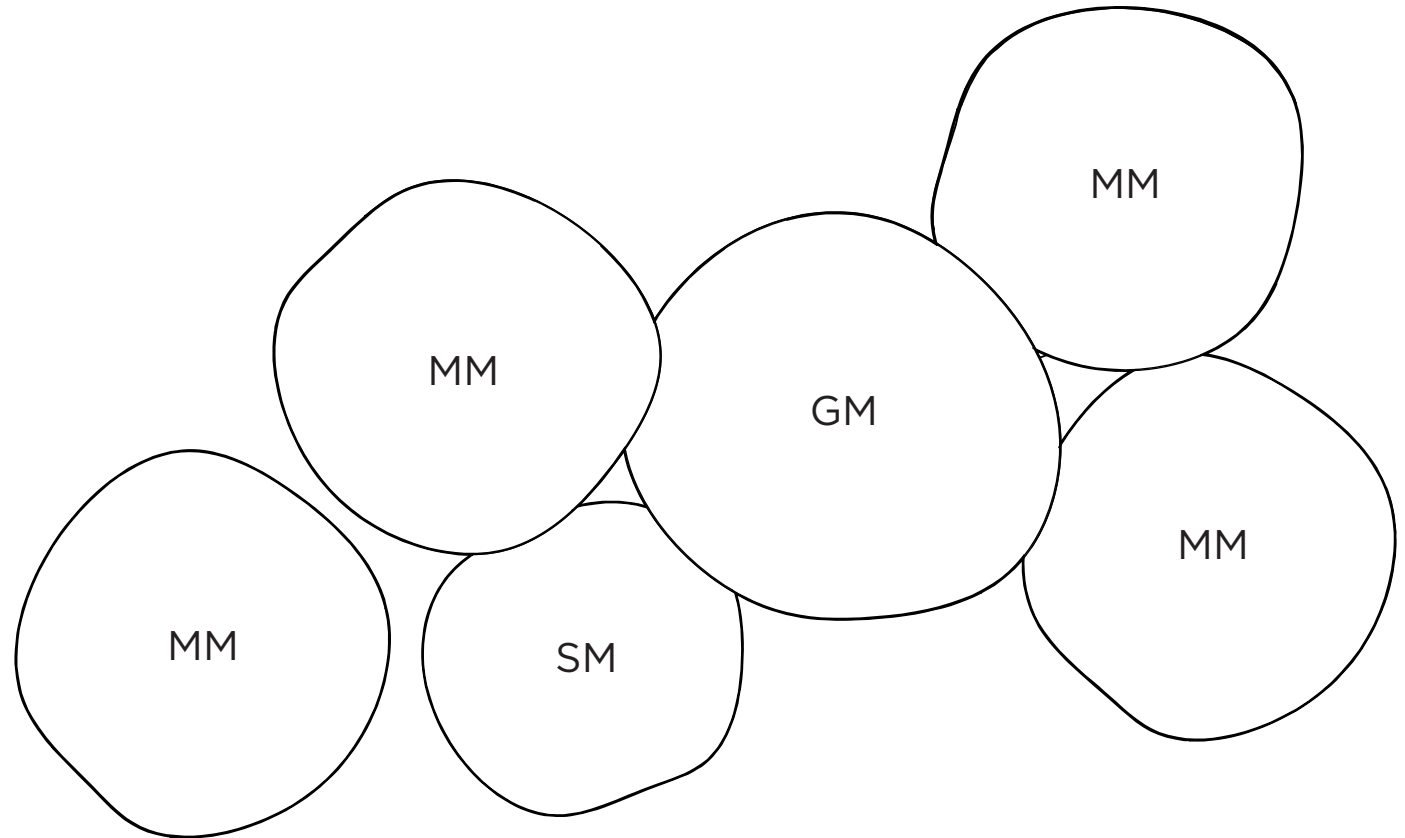




VISO LIGHTING

CHESTNUT

6MM FIXTURE LAYOUT



IMPORTANT

Always shut off power before cleaning and maintenance.



All products are manufactured to meet or exceed North American standards C22.2-250, UL 1598, C22.2-12, C22.2.9, UL 153.

All preparation for installation of fixture is to be provided by the end user.

The description and measurements on this drawing are for information purposes only.

VISO © 2019 All rights reserved.



VISO LIGHTING

CHESTNUT

9MM INSTALLATION MANUAL

LED 700mA 110V - 240V 3000K
9 x 12W LED (Integral)



IMPORTANT

Always shut off power before
cleaning and maintenance.



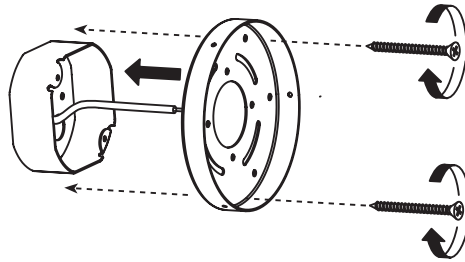
All products are manufactured to
meet or exceed North American
standards C22.2-250, UL 1598,
C22.2-12, C22.2.9, UL 153.

All preparation for installation of
fixture is to be provided by the
end user.

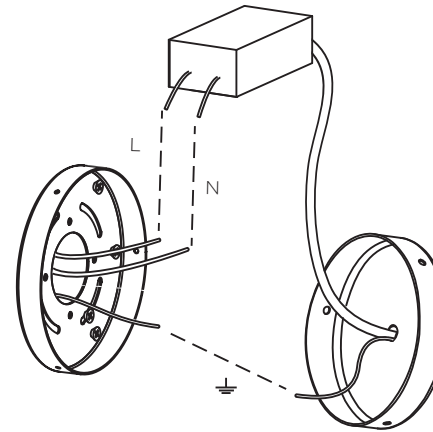
The description and measurements
on this drawing are for information
purposes only.

VISO © 2019 All rights reserved.

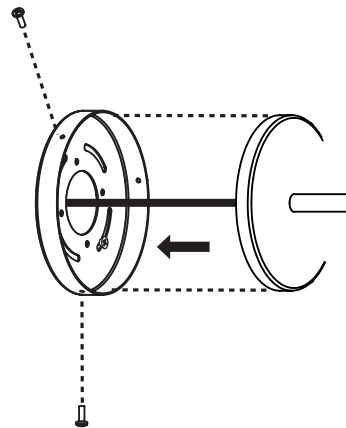
1



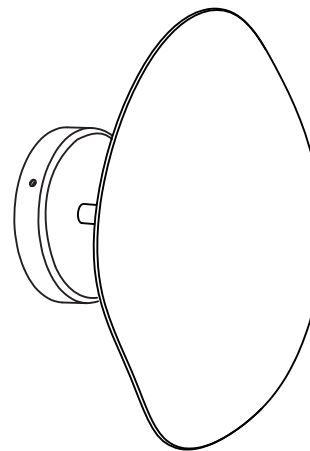
2



3



4

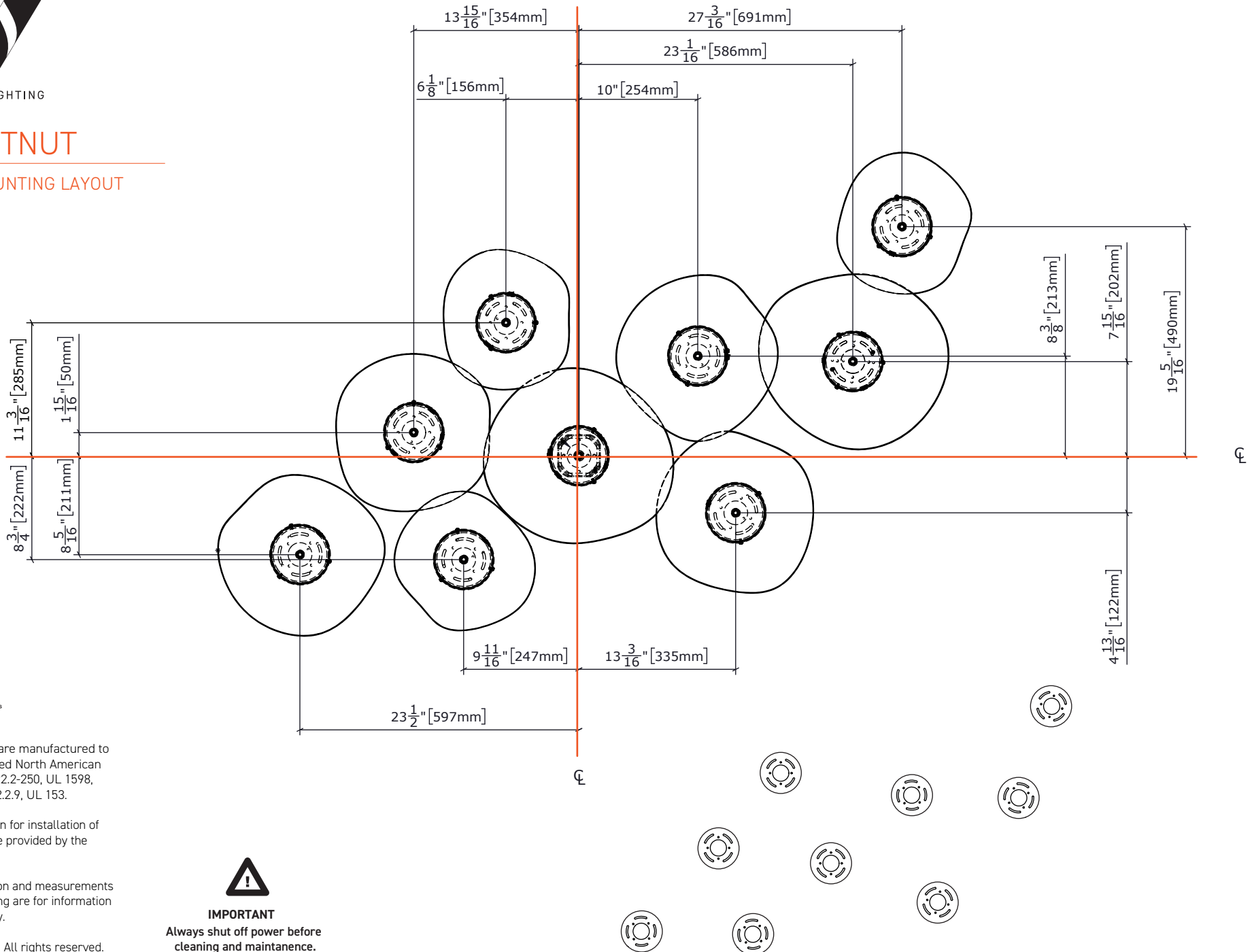




VISO LIGHTING

CHESTNUT

9MM MOUNTING LAYOUT



All products are manufactured to meet or exceed North American standards C22.2-250, UL 1598, C22.2-12, C22.2.9, UL 153.

All preparation for installation of fixture is to be provided by the end user.

The description and measurements on this drawing are for information purposes only.

VISO © 2019 All rights reserved.



IMPORTANT

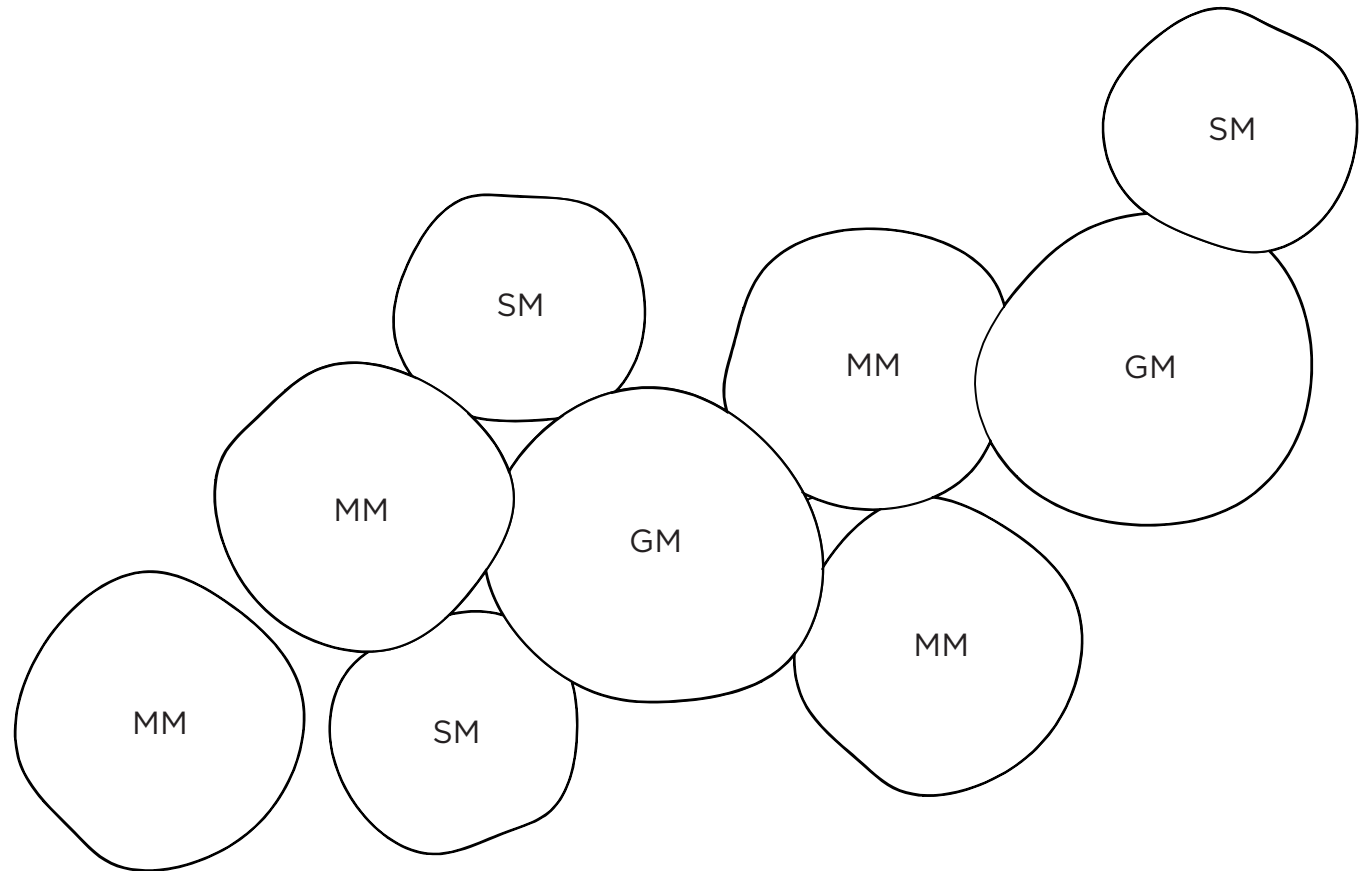
Always shut off power before cleaning and maintenance.



VISO LIGHTING

CHESTNUT

9MM FIXTURE LAYOUT



IMPORTANT

Always shut off power before cleaning and maintenance.



All products are manufactured to meet or exceed North American standards C22.2-250, UL 1598, C22.2-12, C22.2.9, UL 153.

All preparation for installation of fixture is to be provided by the end user.

The description and measurements on this drawing are for information purposes only.

VISO © 2019 All rights reserved.



VISO LIGHTING

CHESTNUT

11MM INSTALLATION MANUAL

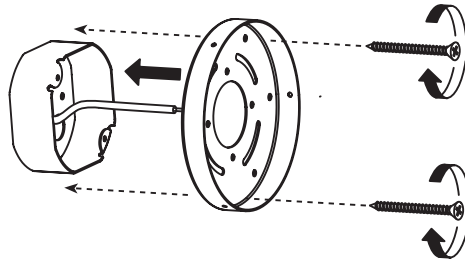
LED 700mA 110V - 240V 3000K
11 x 12W LED (Integral)



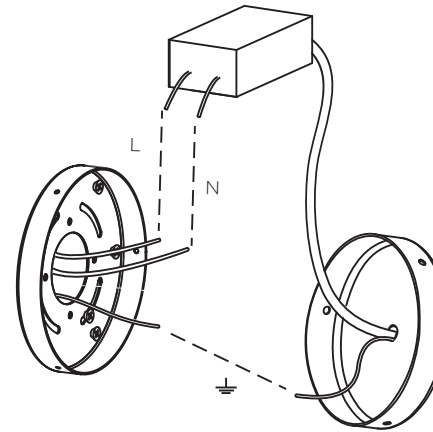
IMPORTANT

Always shut off power before
cleaning and maintenance.

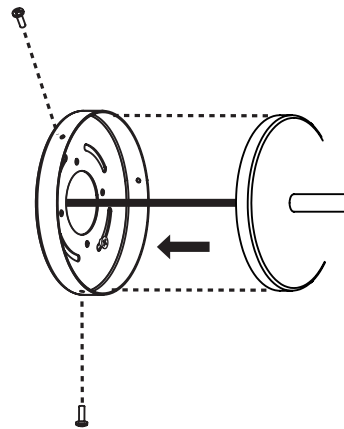
1



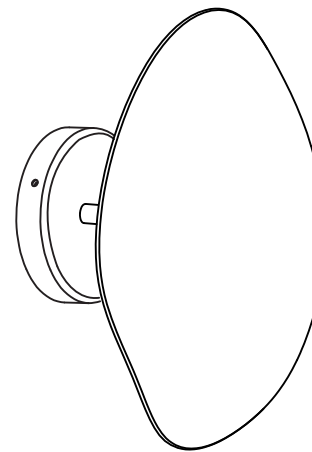
2



3



4



All products are manufactured to meet or exceed North American standards C22.2-250, UL 1598, C22.2-12, C22.2.9, UL 153.

All preparation for installation of fixture is to be provided by the end user.

The description and measurements on this drawing are for information purposes only.

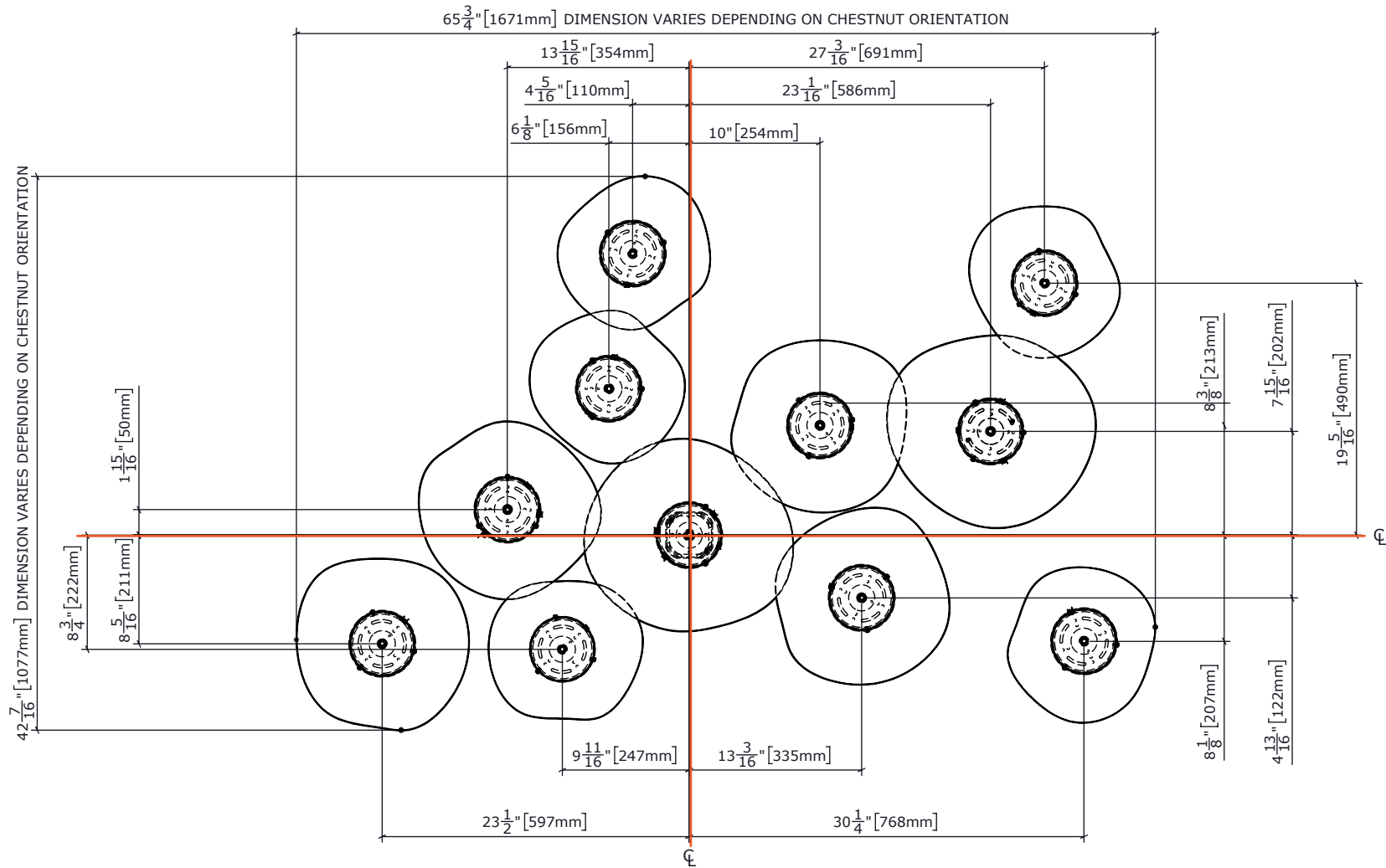
VISO © 2019 All rights reserved.



VISO LIGHTING

CHESTNUT

11MM MOUNTING LAYOUT



All products are manufactured to meet or exceed North American standards C22.2-250, UL 1598, C22.2-12, C22.2.9, UL 153.

All preparation for installation of fixture is to be provided by the end user.

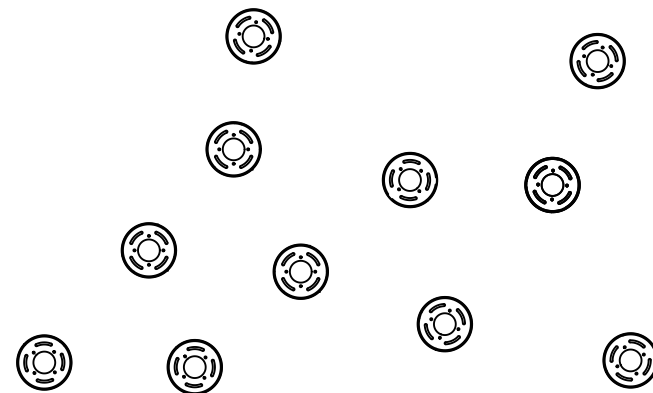
The description and measurements on this drawing are for information purposes only.

VISO © 2019 All rights reserved.



IMPORTANT

Always shut off power before cleaning and maintenance.

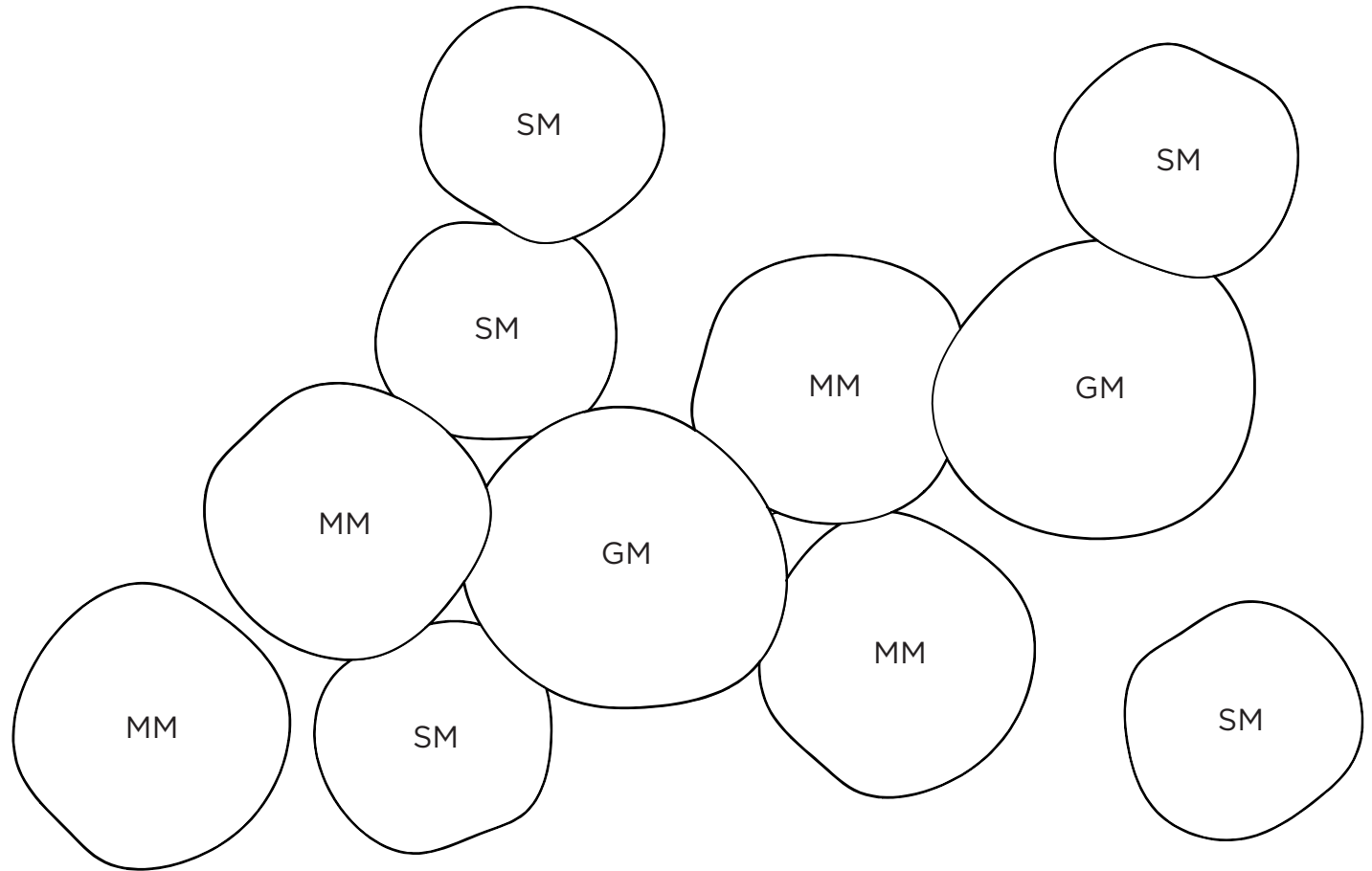




VISO LIGHTING

CHESTNUT

11MM FIXTURE LAYOUT



IMPORTANT

Always shut off power before cleaning and maintenance.



All products are manufactured to meet or exceed North American standards C22.2-250, UL 1598, C22.2-12, C22.2.9, UL 153.

All preparation for installation of fixture is to be provided by the end user.

The description and measurements on this drawing are for information purposes only.

VISO © 2019 All rights reserved.



VISO LIGHTING

CHESTNUT

4MM INSTALLATION MANUAL WITH CONNECTING KIT

LED 700mA 110V - 240V 3000K
4 x 12W LED (Integral)



IMPORTANT

Always shut off power before
cleaning and maintenance.



All products are manufactured to
meet or exceed North American
standards C22.2-250, UL 1598,
C22.2-12, C22.2.9, UL 153.

All preparation for installation of
fixture is to be provided by the
end user.

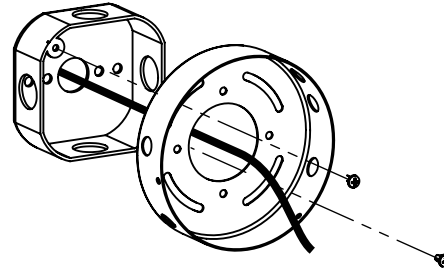
The description and measurements
on this drawing are for information
purposes only.

VISO © 2019 All rights reserved.

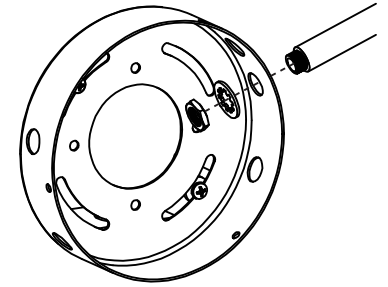
1

USE TEMPLATE TO MARK WALL
FOR FIXTURE MOUNTING AND
POWER SOURCE

2

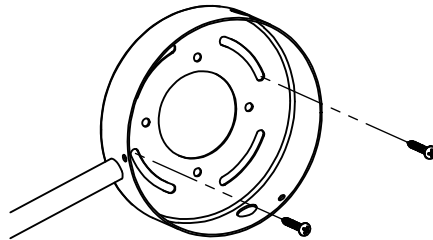


3



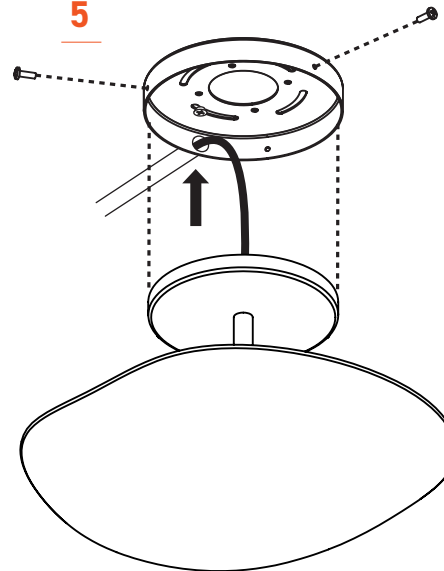
ACCORDING TO MOUNTING
LAYOUT SHEET

4



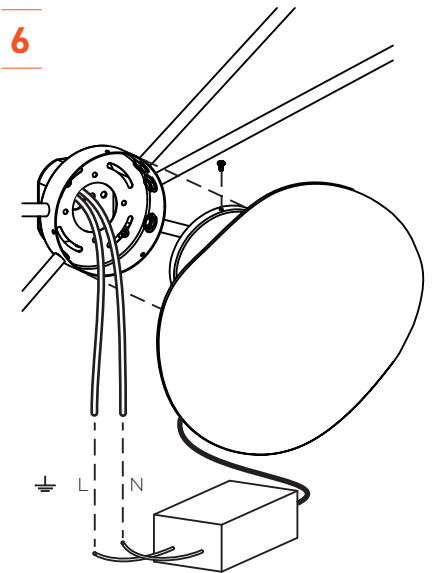
ACCORDING TO MOUNTING
LAYOUT SHEET

5



SM/MM/GM ACCORDING TO
LAMP LAYOUT SHEET

6



WIRE TOGETHER WITH
CABLES FROM OTHER LAMPS

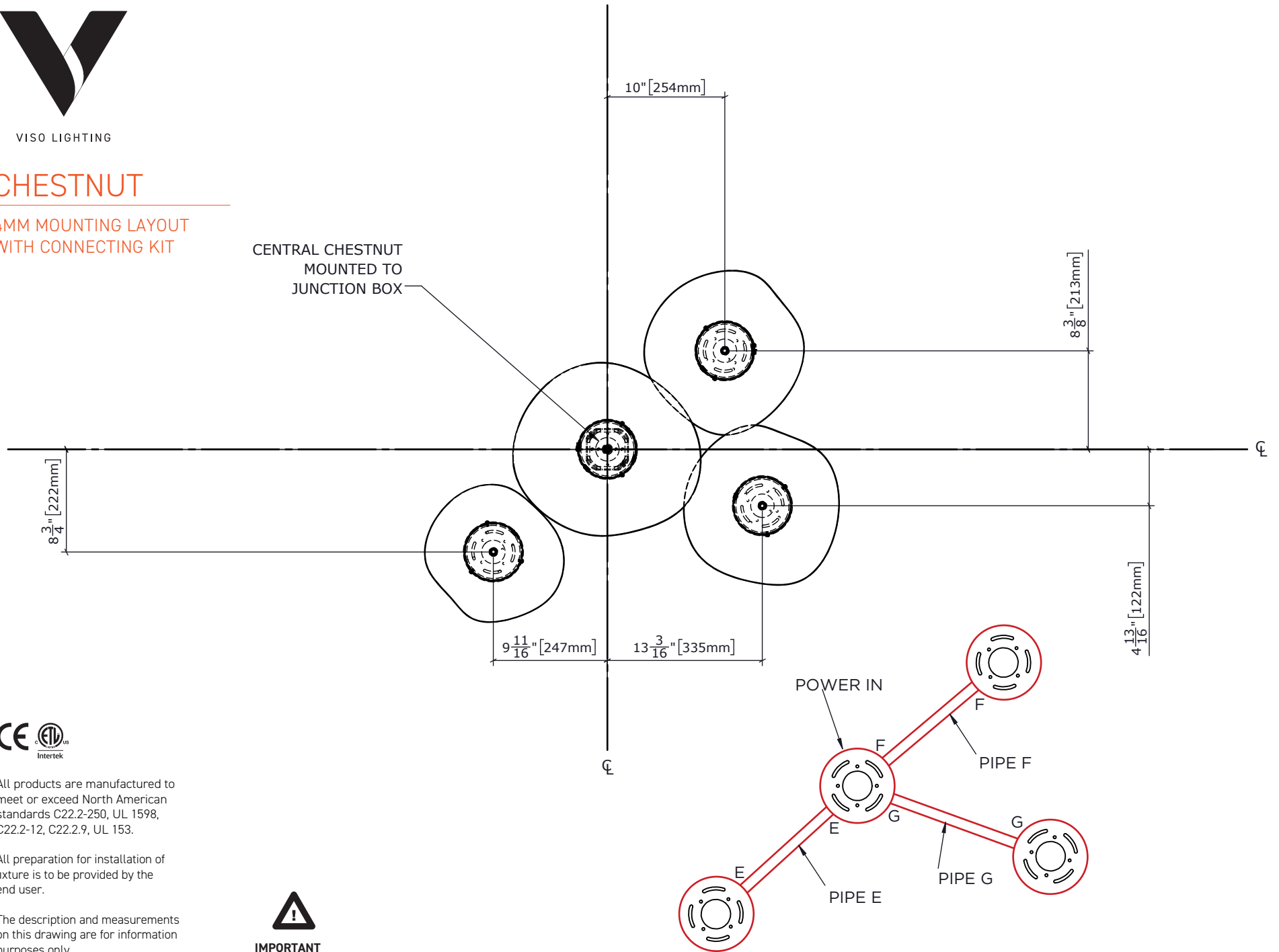


VISO LIGHTING

CHESTNUT

4MM MOUNTING LAYOUT WITH CONNECTING KIT

CENTRAL CHESTNUT MOUNTED TO JUNCTION BOX



All products are manufactured to meet or exceed North American standards C22.2-250, UL 1598, C22.2-12, C22.2.9, UL 153.

All preparation for installation of fixture is to be provided by the end user.

The description and measurements on this drawing are for information purposes only.

VISO © 2019 All rights reserved.



IMPORTANT

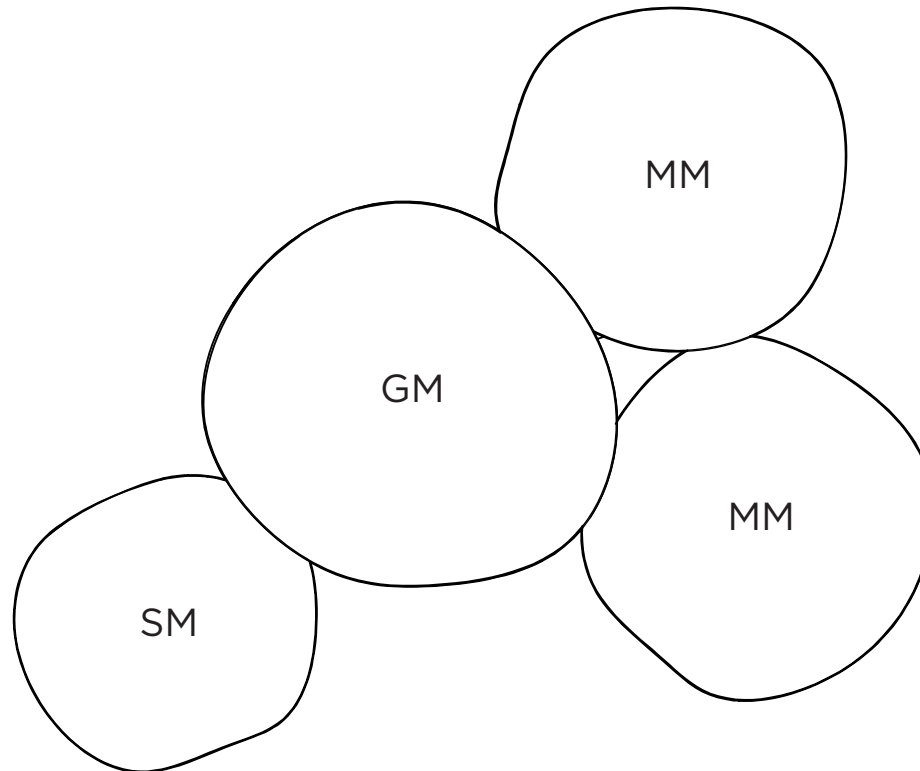
Always shut off power before cleaning and maintenance.



VISO LIGHTING

CHESTNUT

4MM FIXTURE LAYOUT



IMPORTANT

Always shut off power before cleaning and maintenance.



All products are manufactured to meet or exceed North American standards C22.2-250, UL 1598, C22.2-12, C22.2.9, UL 153.

All preparation for installation of fixture is to be provided by the end user.

The description and measurements on this drawing are for information purposes only.

VISO © 2019 All rights reserved.



VISO LIGHTING

CHESTNUT

6MM INSTALLATION MANUAL WITH CONNECTING KIT

LED 700mA 110V - 240V 3000K
6 x 12W LED (Integral)



IMPORTANT

Always shut off power before cleaning and maintenance.



All products are manufactured to meet or exceed North American standards C22.2-250, UL 1598, C22.2-12, C22.2.9, UL 153.

All preparation for installation of fixture is to be provided by the end user.

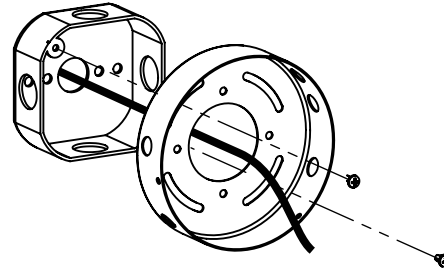
The description and measurements on this drawing are for information purposes only.

VISO © 2019 All rights reserved.

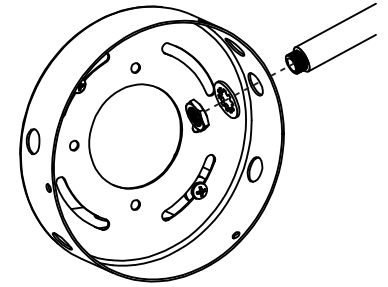
1

USE TEMPLATE TO MARK WALL FOR FIXTURE MOUNTING AND POWER SOURCE

2

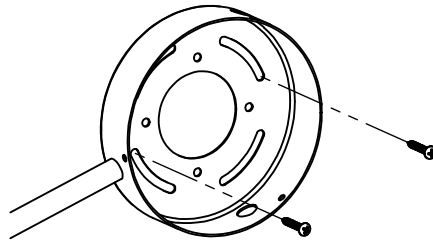


3



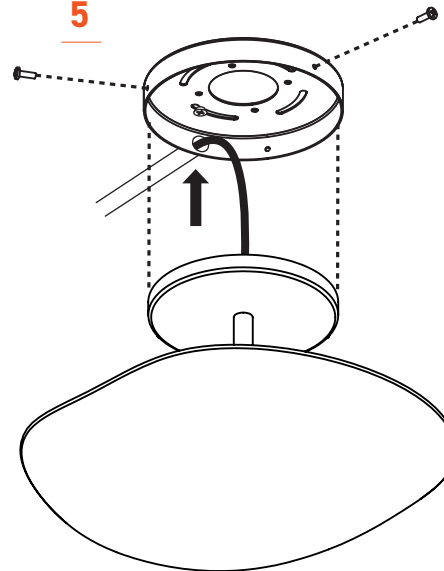
ACCORDING TO MOUNTING LAYOUT SHEET

4



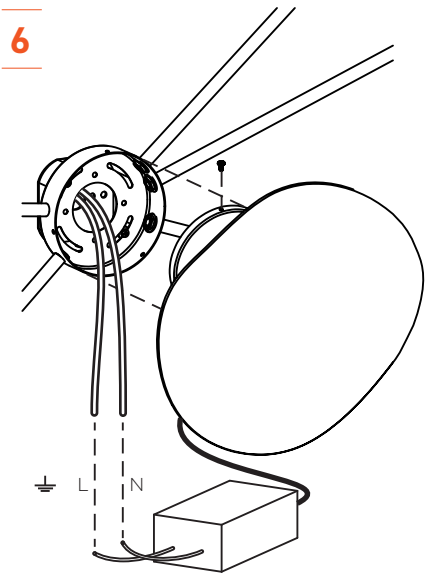
ACCORDING TO MOUNTING LAYOUT SHEET

5



SM/MM/GM ACCORDING TO LAMP LAYOUT SHEET

6



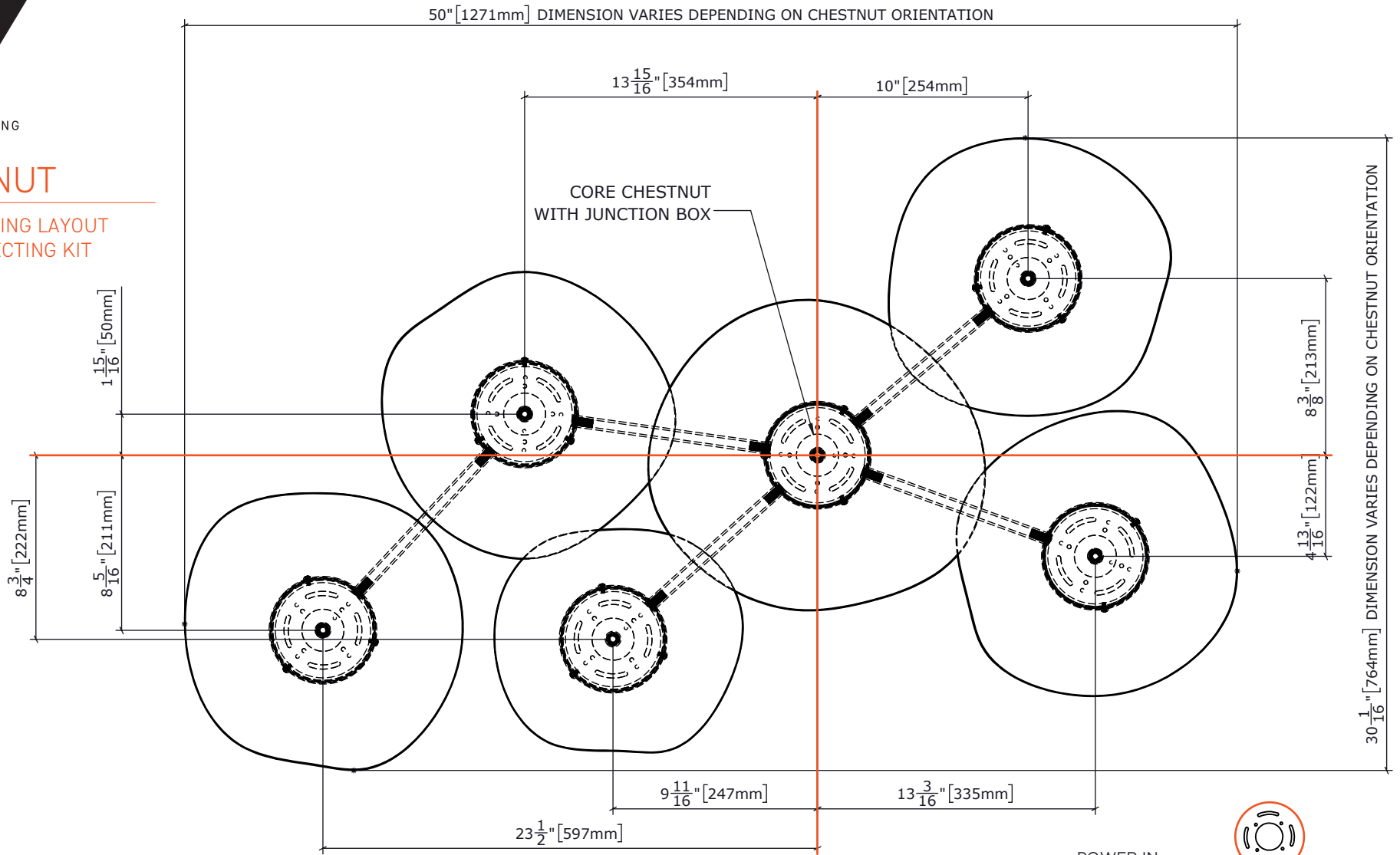
WIRE TOGETHER WITH CABLES FROM OTHER LAMPS



VISO LIGHTING

CHESTNUT

6MM MOUNTING LAYOUT WITH CONNECTING KIT



All products are manufactured to meet or exceed North American standards C22.2-250, UL 1598, C22.2-12, C22.2.9, UL 153.

All preparation for installation of fixture is to be provided by the end user.

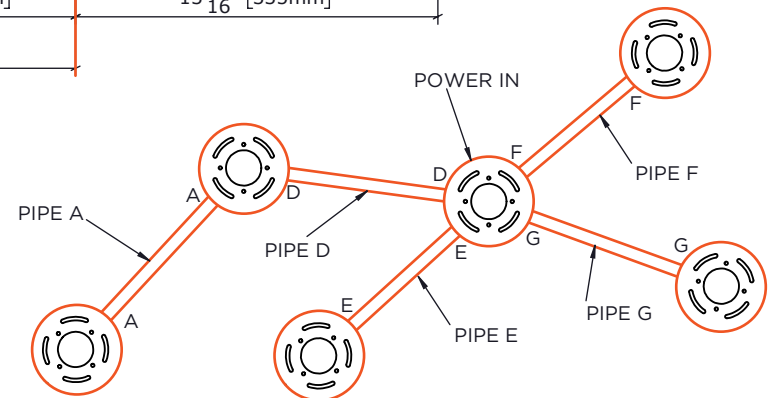
The description and measurements on this drawing are for information purposes only.

VISO © 2019 All rights reserved.



IMPORTANT

Always shut off power before cleaning and maintenance.

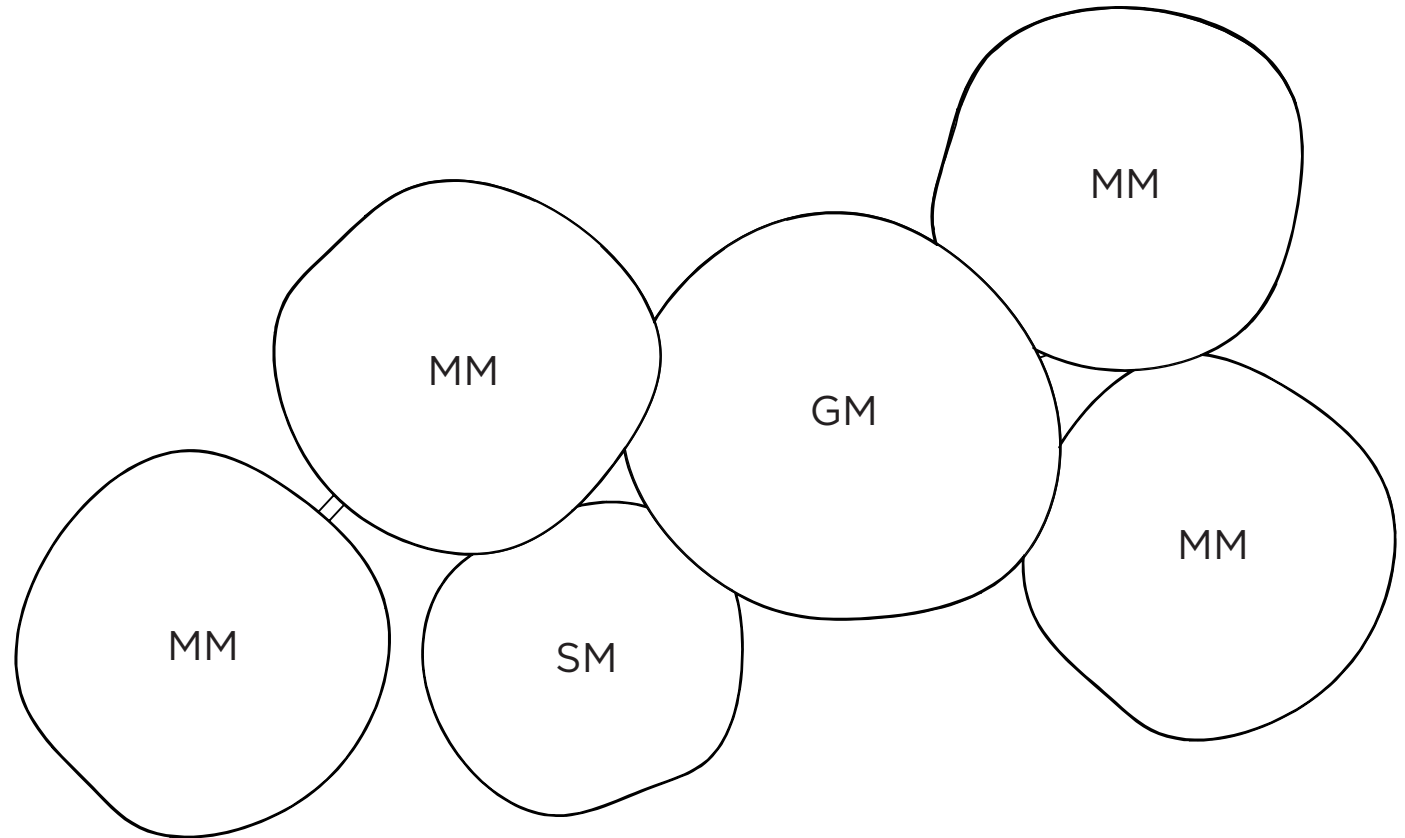




VISO LIGHTING

CHESTNUT

6MM FIXTURE LAYOUT



IMPORTANT

Always shut off power before cleaning and maintenance.



All products are manufactured to meet or exceed North American standards C22.2-250, UL 1598, C22.2-12, C22.2.9, UL 153.

All preparation for installation of fixture is to be provided by the end user.

The description and measurements on this drawing are for information purposes only.

VISO © 2019 All rights reserved.



VISO LIGHTING

CHESTNUT

9MM INSTALLATION MANUAL WITH CONNECTING KIT

LED 700mA 110V - 240V 3000K
9 x 12W LED (Integral)



IMPORTANT

Always shut off power before
cleaning and maintenance.



All products are manufactured to
meet or exceed North American
standards C22.2-250, UL 1598,
C22.2-12, C22.2.9, UL 153.

All preparation for installation of
fixture is to be provided by the
end user.

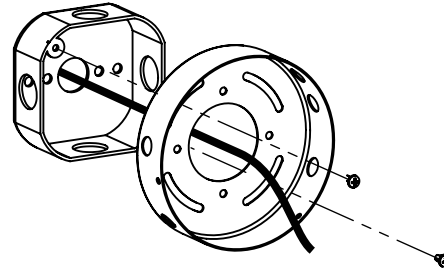
The description and measurements
on this drawing are for information
purposes only.

VISO © 2019 All rights reserved.

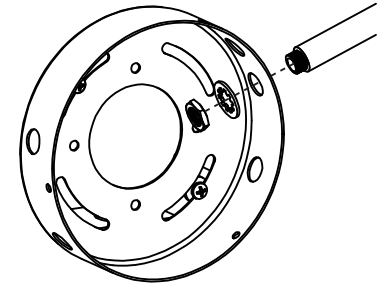
1

USE TEMPLATE TO MARK WALL
FOR FIXTURE MOUNTING AND
POWER SOURCE

2

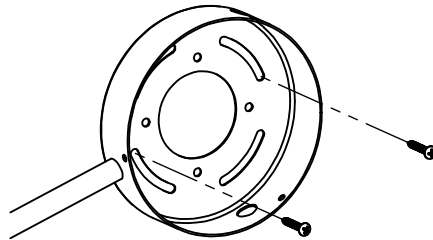


3



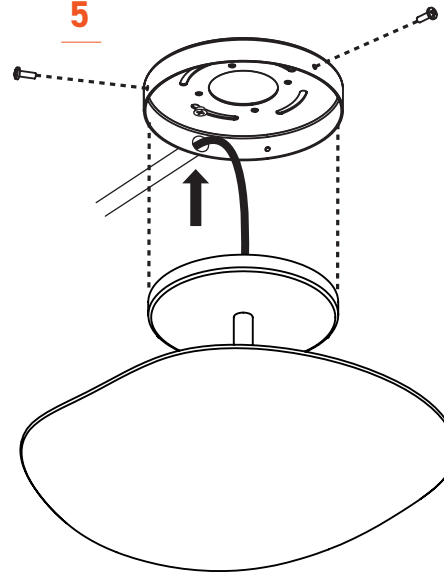
ACCORDING TO MOUNTING
LAYOUT SHEET

4



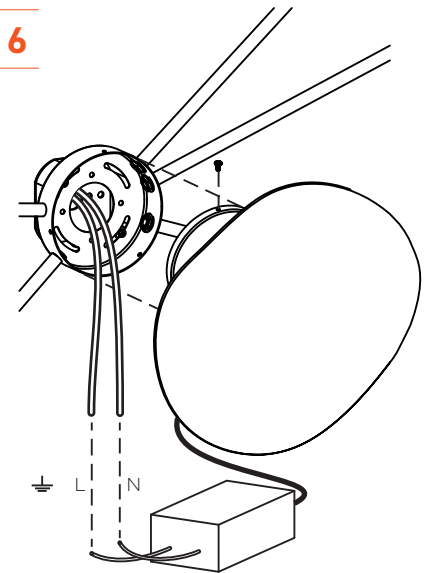
ACCORDING TO MOUNTING
LAYOUT SHEET

5



SM/MM/GM ACCORDING TO
LAMP LAYOUT SHEET

6



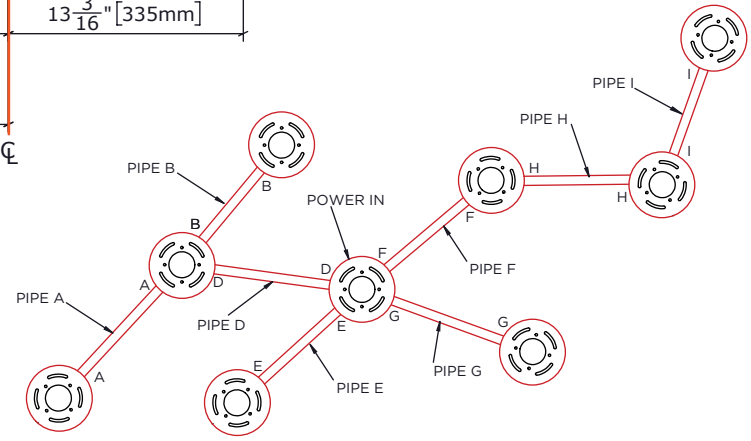
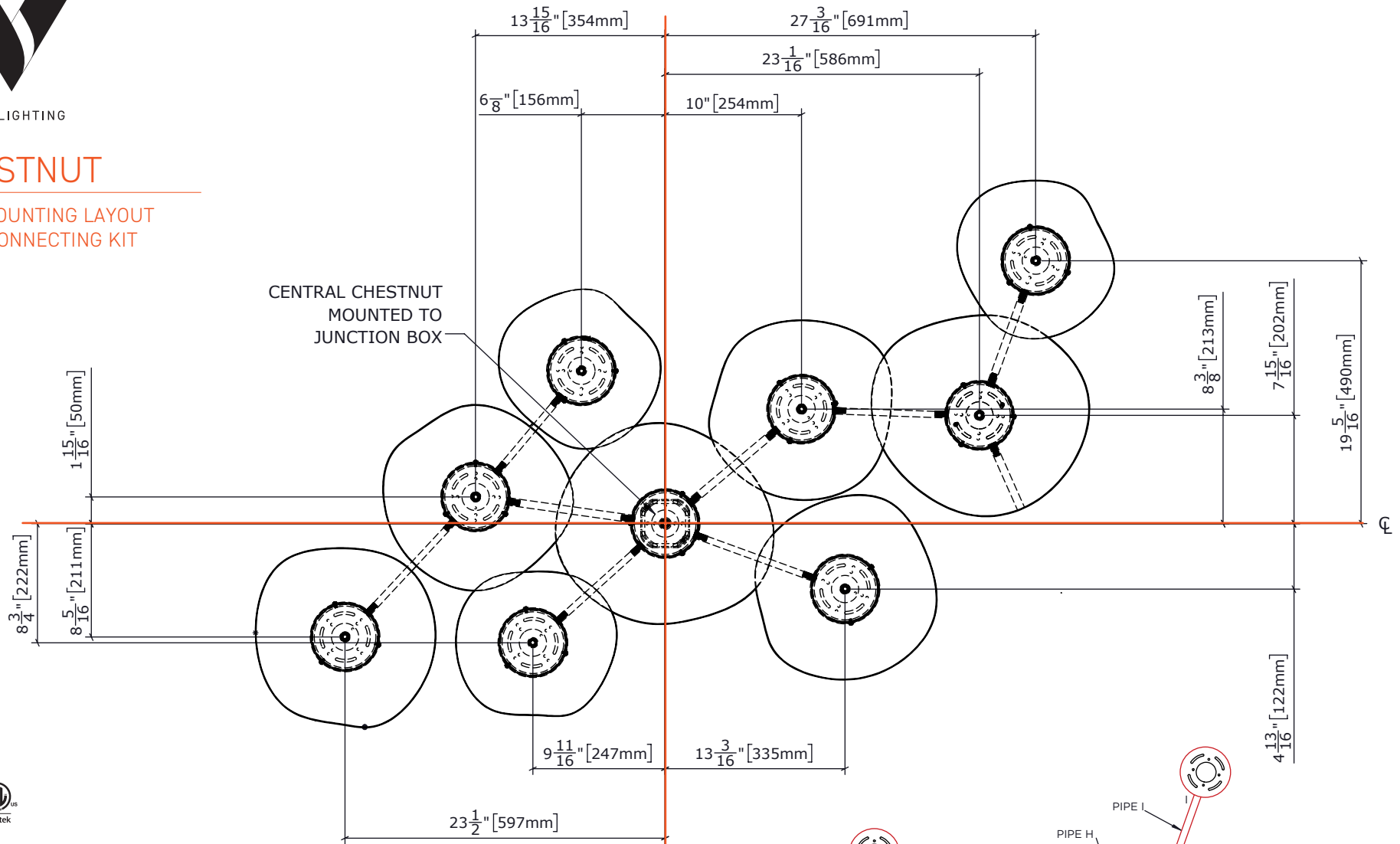
WIRE TOGETHER WITH
CABLES FROM OTHER LAMPS



VISO LIGHTING

CHESTNUT

9MM MOUNTING LAYOUT WITH CONNECTING KIT



All products are manufactured to meet or exceed North American standards C22.2-250, UL 1598, C22.2-12, C22.2.9, UL 153.

All preparation for installation of fixture is to be provided by the end user.

The description and measurements on this drawing are for information purposes only.

VISO © 2019 All rights reserved.



IMPORTANT

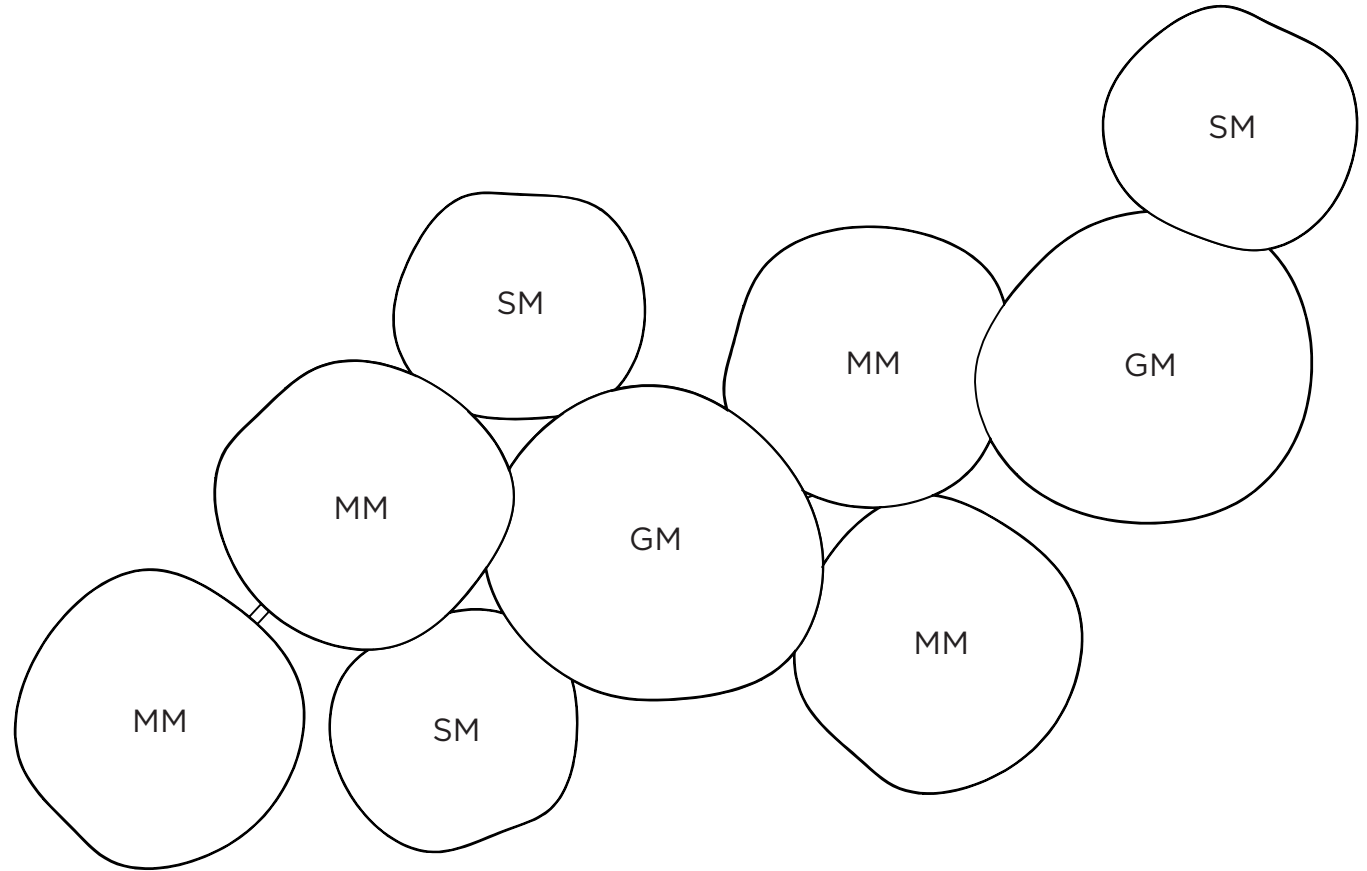
Always shut off power before cleaning and maintenance.



VISO LIGHTING

CHESTNUT

9MM FIXTURE LAYOUT



IMPORTANT

Always shut off power before cleaning and maintenance.



All products are manufactured to meet or exceed North American standards C22.2-250, UL 1598, C22.2-12, C22.2.9, UL 153.

All preparation for installation of fixture is to be provided by the end user.

The description and measurements on this drawing are for information purposes only.

VISO © 2019 All rights reserved.



VISO LIGHTING

CHESTNUT

11MM INSTALLATION MANUAL WITH CONNECTING KIT

LED 700mA 110V - 240V 3000K
11 x 12W LED (Integral)



IMPORTANT

Always shut off power before
cleaning and maintenance.



All products are manufactured to
meet or exceed North American
standards C22.2-250, UL 1598,
C22.2-12, C22.2.9, UL 153.

All preparation for installation of
fixture is to be provided by the
end user.

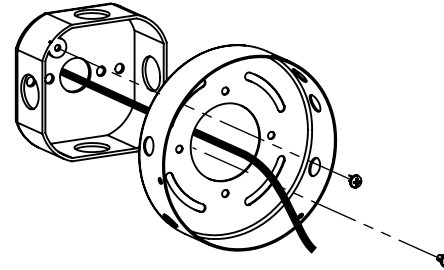
The description and measurements
on this drawing are for information
purposes only.

VISO © 2019 All rights reserved.

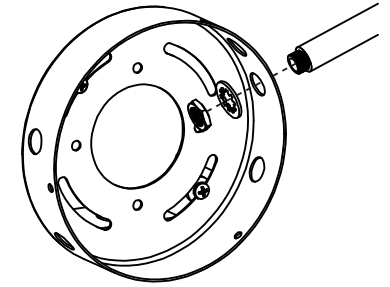
1

USE TEMPLATE TO MARK WALL
FOR FIXTURE MOUNTING AND
POWER SOURCE

2

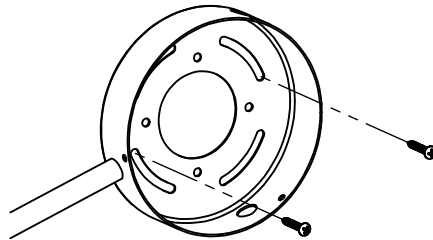


3



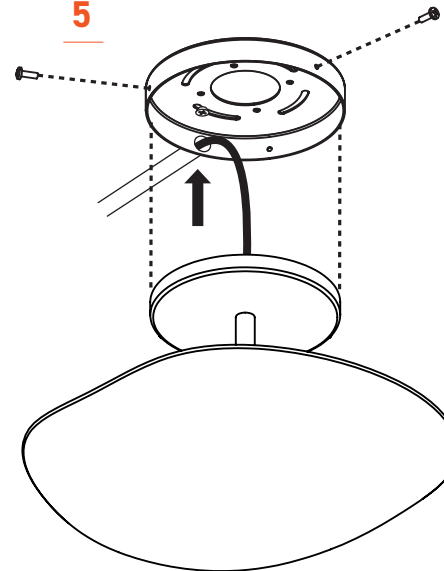
ACCORDING TO MOUNTING
LAYOUT SHEET

4



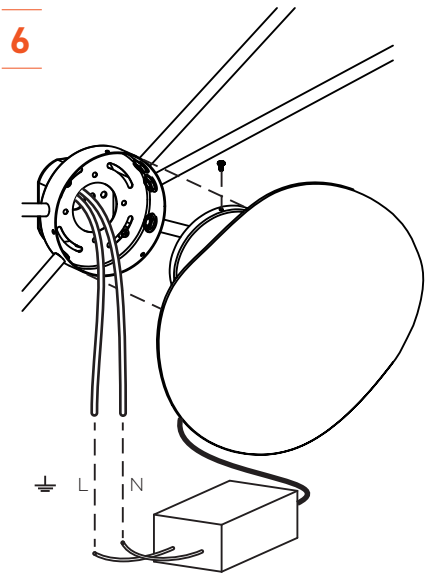
ACCORDING TO MOUNTING
LAYOUT SHEET

5



SM/MM/GM ACCORDING TO
LAMP LAYOUT SHEET

6



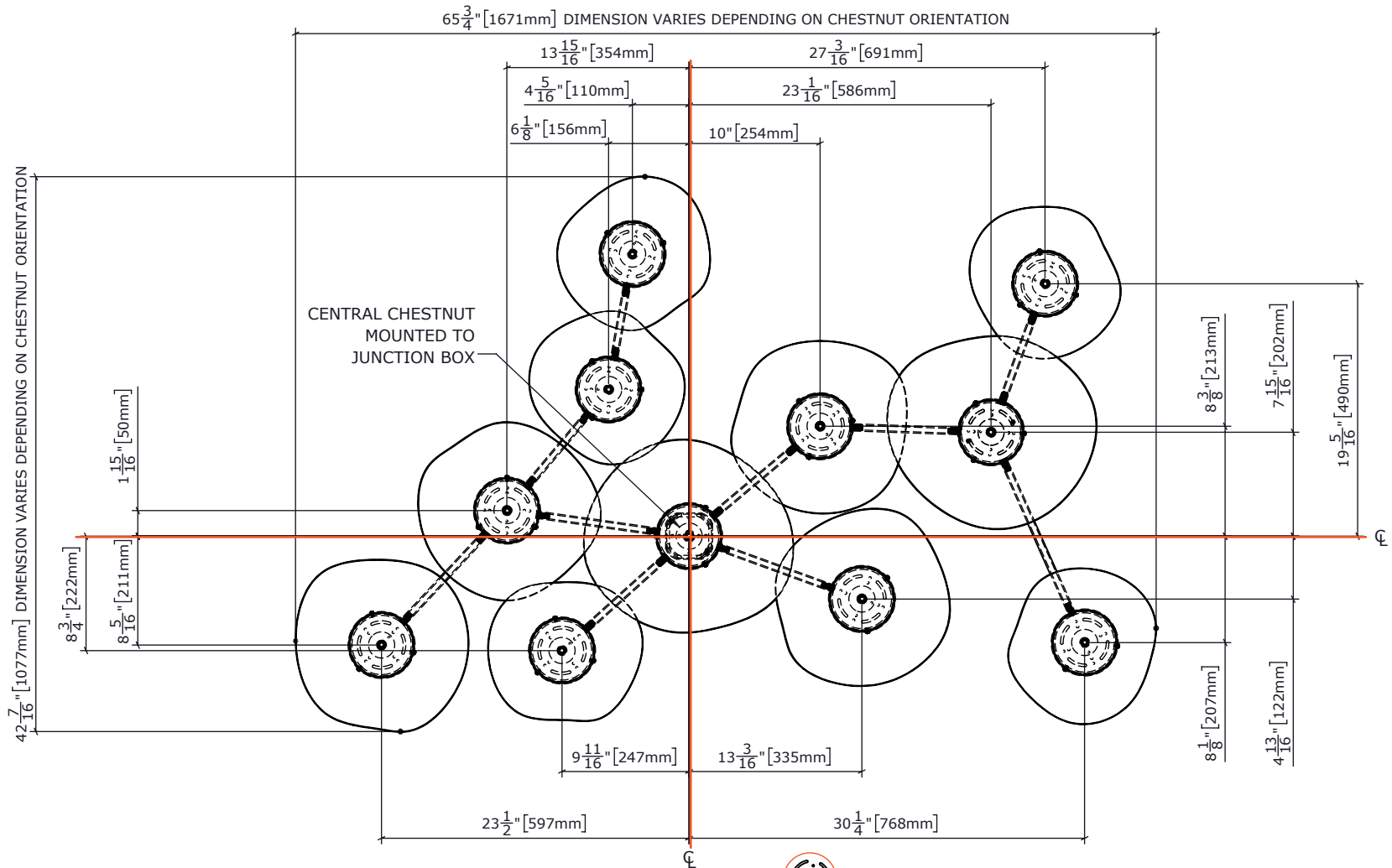
WIRE TOGETHER WITH
CABLES FROM OTHER LAMPS



VISO LIGHTING

CHESTNUT

11MM MOUNTING LAYOUT WITH CONNECTING KIT



All products are manufactured to meet or exceed North American standards C22.2-250, UL 1598, C22.2-12, C22.2.9, UL 153.

All preparation for installation of fixture is to be provided by the end user.

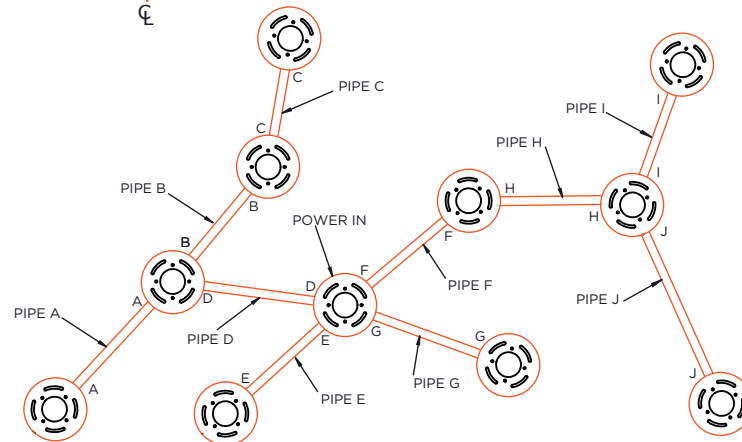
The description and measurements on this drawing are for information purposes only.

VISO © 2019 All rights reserved.



IMPORTANT

Always shut off power before cleaning and maintenance.

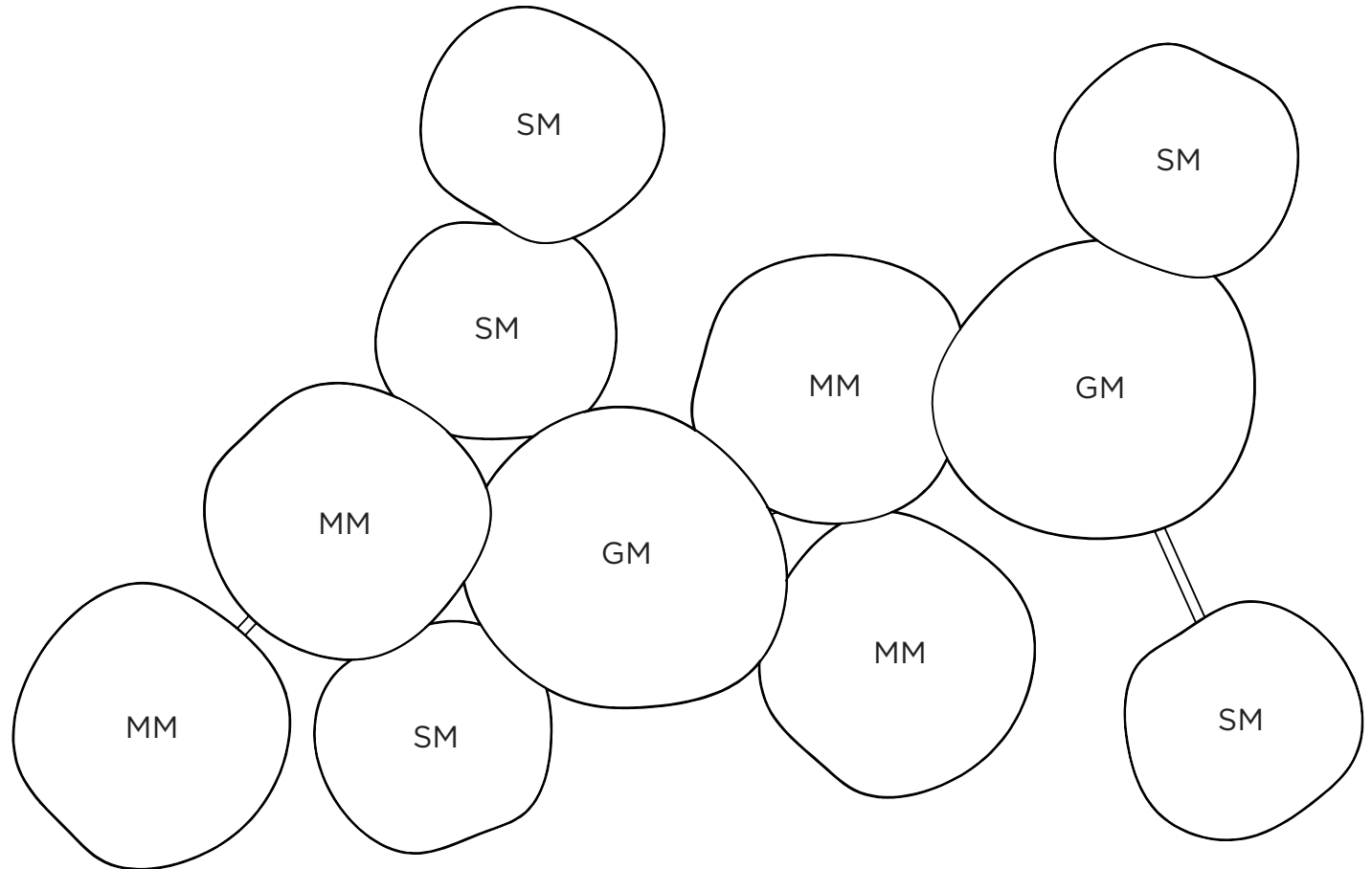




VISO LIGHTING

CHESTNUT

11MM FIXTURE LAYOUT



IMPORTANT

Always shut off power before cleaning and maintenance.



All products are manufactured to meet or exceed North American standards C22.2-250, UL 1598, C22.2-12, C22.2.9, UL 153.

All preparation for installation of fixture is to be provided by the end user.

The description and measurements on this drawing are for information purposes only.

VISO © 2019 All rights reserved.